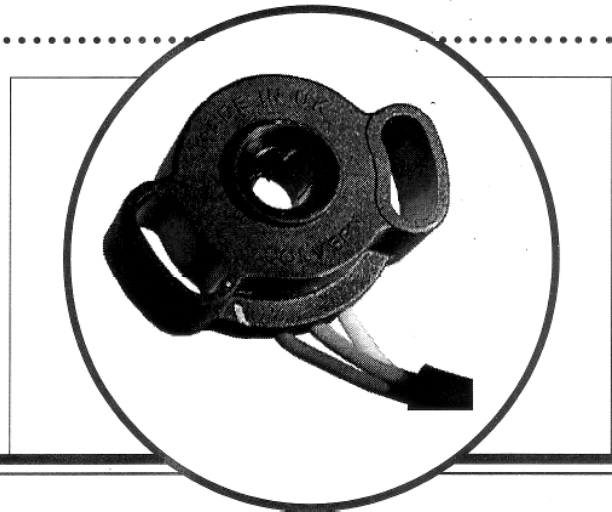


Conductive Polymer Automotive Potentiometer

CP17/715 type

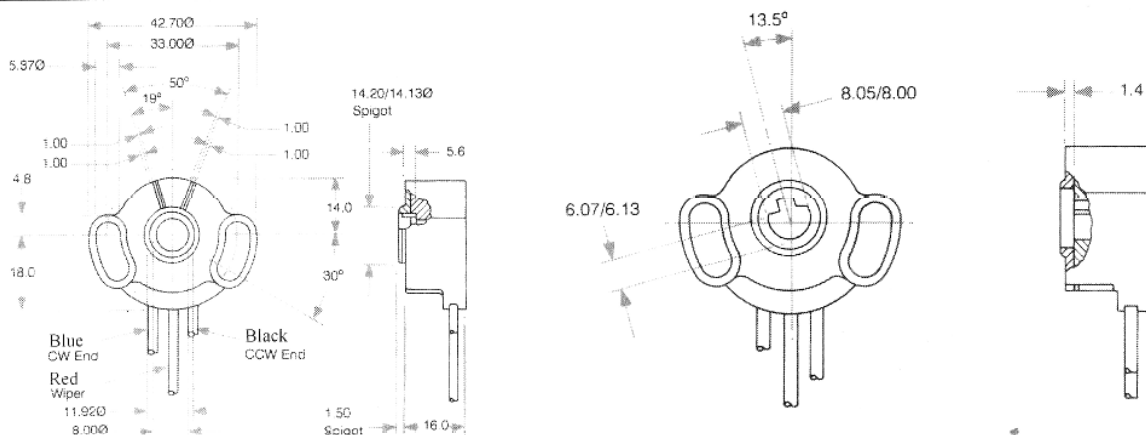
- Designed for competition use
- D drive spindle location
- Flange mounting
- Flying lead with plug
- RoHS compliant



Automotive specification potentiometer designed for high vibration / competition use. Glass filled nylon body with radial slots for adjustable fixing, base metal wiper. Termination via. 185mm flying leads and AMP econoseal E series connector. Leads covered with an additional black PVC sleeve.

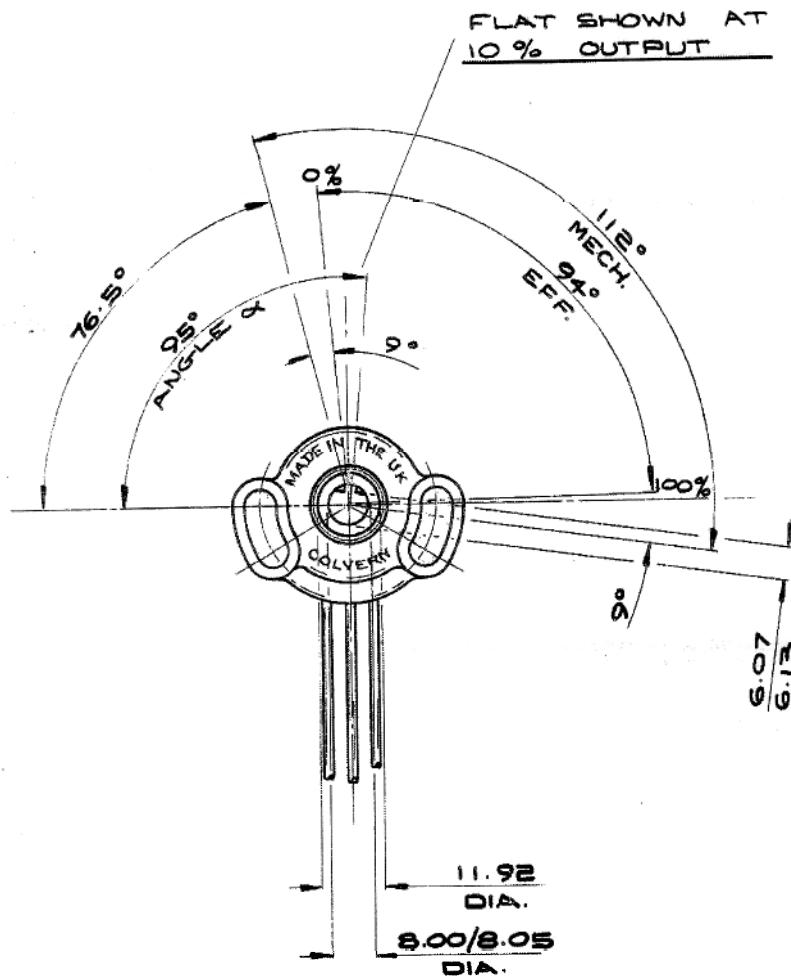
Electrical Data

Standard resistance range	5,000 Ohms +/- 20%
Hysteresis	< 0.3%
Angle of effective rotation	94° +/- 3°
Total mechanical rotation	112° +/- 4°
Wiper protection resistor	25% of value or 1000 Ohms min.
Output signal temperature coefficient	<25 ppm / 0°C
Output smoothness	0.5%
Independent linearity	+/- 2%
Operating temperature	-30°C to +130°C
Operational torque	30 mNm min. / 100 mNm max.
End stop torque	800 mNm maximum
Rotational life	3 x 10 ⁹ cycles



General Note

AB Electronic Limited reserves the right to make changes in product specification without notice or liability. All information is subject to AB's own data and is considered accurate at time of going to print.



FLAT POSITIONS

ANGLE α	OUTPUT
76.5°	MECH. STOP
85.5°	0%
95°	10% \pm 3%
170°	90% \pm 3%
179.5°	100%
188.5°	MECH. STOP

